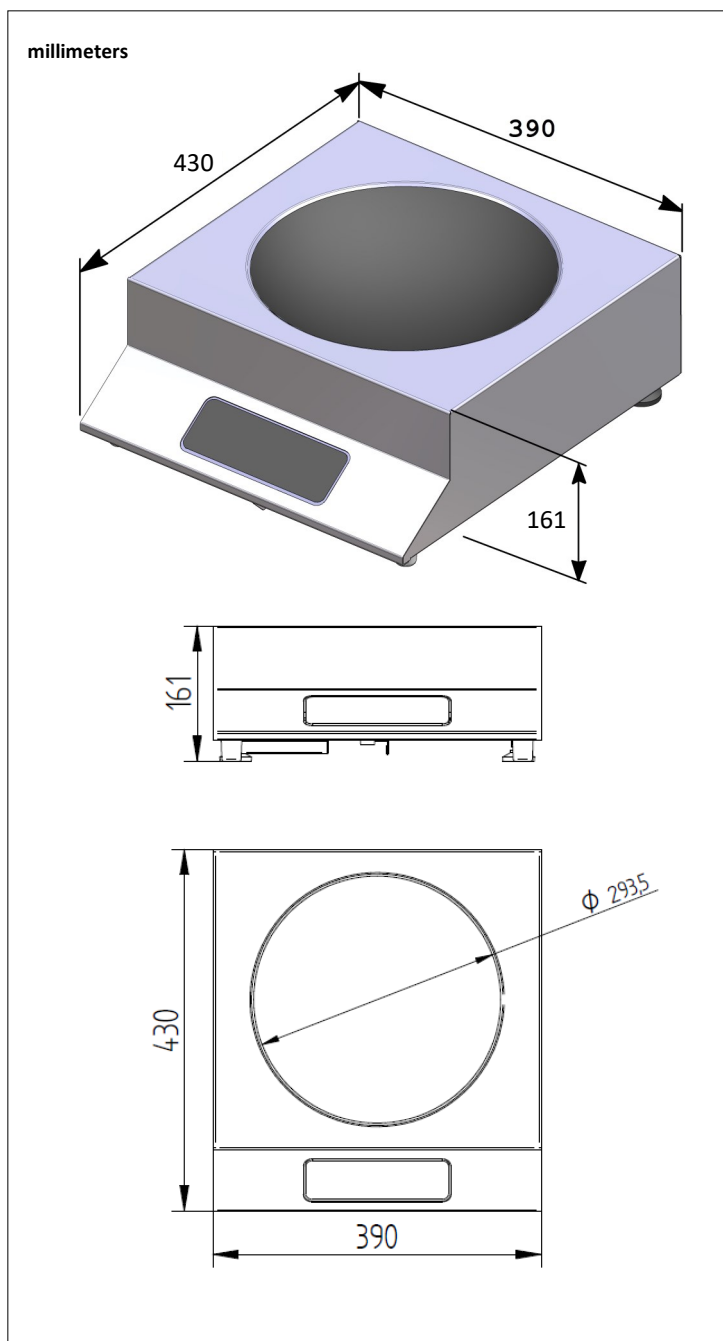




TECHNICAL FEATURES	
External structure	AISI 304 stainless steel
Dimensions	430 x 390 x 161
Power	3500W
Cooking surface	Vitroceramic wok bol.
Control panel	Capacitive touches control panel
Amp	15A
Functions	On/Off, manual power setting (+/-) and timer control with 2 digits display (works for both timer and power)
Power supply	230 V; 208/240 V ; AC 50 - 60 Hz
Weight	10 kg kg / 22.1 lbs.
Standards	Complies with European standards for safety of electrical appliances.
Details & Options	Including a power cord and a washable filter (wash regularly).



ADVENTYS
 Route de Pagny - 21250 Seurre - France
www.adventys.com
sales@adventys.com
 T: +33 3 80 20 46 15

Important note

Adventys reserves the right to modify specifications without notice.